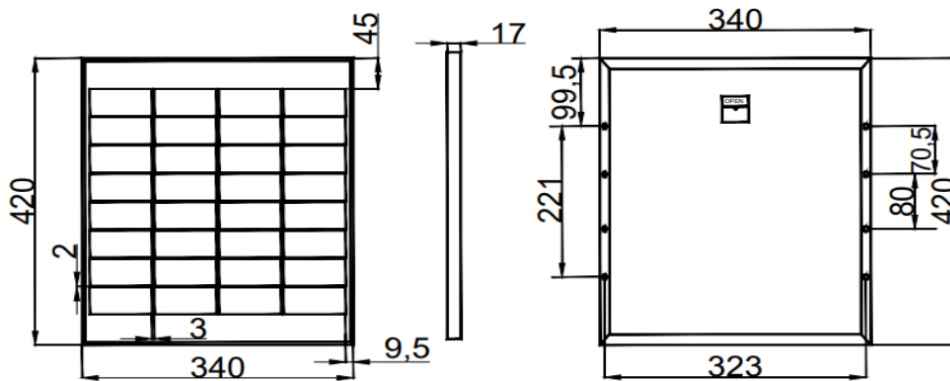


# MONOCRYSTALLINE BSM20M-24

## 20W MODULE

### PHYSICAL CHARACTERISTICS

Unit: mm (inch)



### ELECTRICAL SPECIFICATIONS

Model Type	BSM20M-24
Nominal Maximum Power (Pmax)	20W
Optimum Operating Voltage (Vmp)	18.78V
Optimum Operating Current (Imp)	1.06A
Open Circuit Voltage (Voc)	22.54V
Short Circuit Current (Isc)	1.12A
Module Efficiency	14.0%
Cell Efficiency	23.2%
Power Tolerance	0 to +3%
Maximum System Voltage	DC 1500V
Operating Temperature	-40 C ~ +85 C
Maximum Series Fuse Rating	10A
Number of Bypass Diode	1

### MECHANICAL DATA

Cell Type	182
Cell Arrangement	34 cells in series
Dimensions	420*340*17mm
Weight	1.6kg
J- Box	IP65, 1 diodes
Packing Configuration	576pcs/carton, 20736pcs/40hq

Product Certificates

